

# Forced convection unit air cooler - flatline

## FHVT 413 flatline

Place of cooling:

Walter Roller GmbH & Co.

Lindenstrasse 27-31

D - 70839 Gerlingen

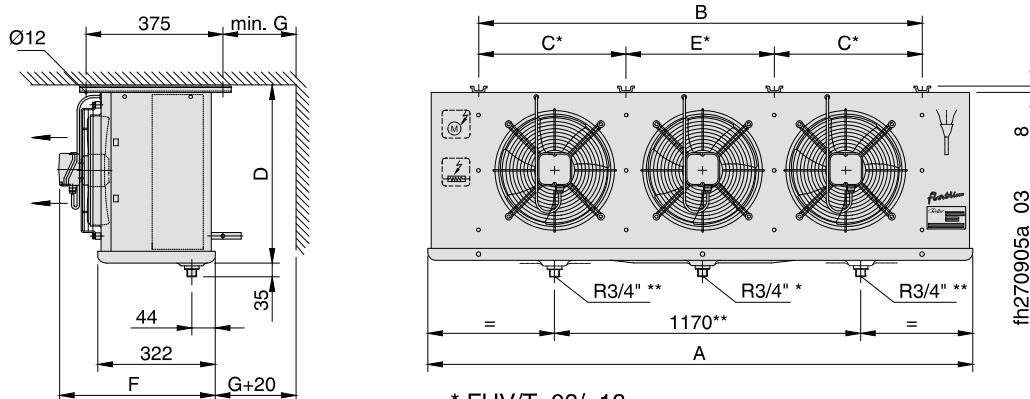
Phone: +49 (0)7156 2001 - 0

Fax.: +49 (0)7156 2001 26



Version 6.2.4

17.11.2008



\* FHV/T .03/ .13

\*\* FHV/T .23

### Dimensions, Tube volumes, Weights

Dimensions								Tube vol. [dm <sup>3</sup> ]	Weight [kg]	Connections	
A [mm]	B [mm]	C [mm]	D [mm]	E [mm]	F [mm]	G [mm]	H [mm]			Inlet Ø [mm]	Outlet Ø [mm]
1486	1204		460		430	250		6.20	46	12.0 #	22.0

#: Multiple injection with Schrader valve at the outlet

### Electrical loads

No.	Blade Ø [mm]	Power supply [ V, Hz ]	Input capacity [W]	Current [ A ]	No. of re- volutions [ min <sup>-1</sup> ]	Electric defrost heating			El. airconditioning	
						Coil [W]	Drain pan [W]	Total [W]	Total [W]	Total [W]
3	300 S	~230 V 50/60 Hz	78/103	0,35/0,45	1350/1520	3x1030	1x1030	4120		

### Capacity data

	Refrigerant	Capacity P <sub>e</sub> [kW]	Evapora- tion t <sub>e</sub> [°C]	Air inlet t <sub>A1</sub> [°C]	DT1 [K]	Sur- face [m <sup>2</sup> ]	Air capacity [m <sup>3</sup> /h]	Air throw [m]	Sound power [ dB(A) ]	Fin spacing [mm]
Given	R404A	5.50	-5.0		7.0					2
Result	R404A	6.57	-5.0	2.0	7.0	29.8	4500	10	75	4.0

### Prices and accessories

FHVT 413	

Price per unit:

incl. mat. surcharges, without VAT